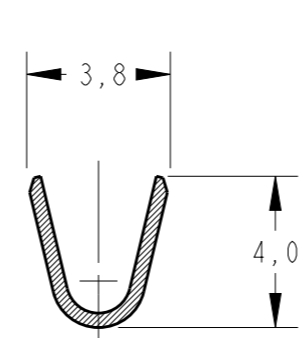
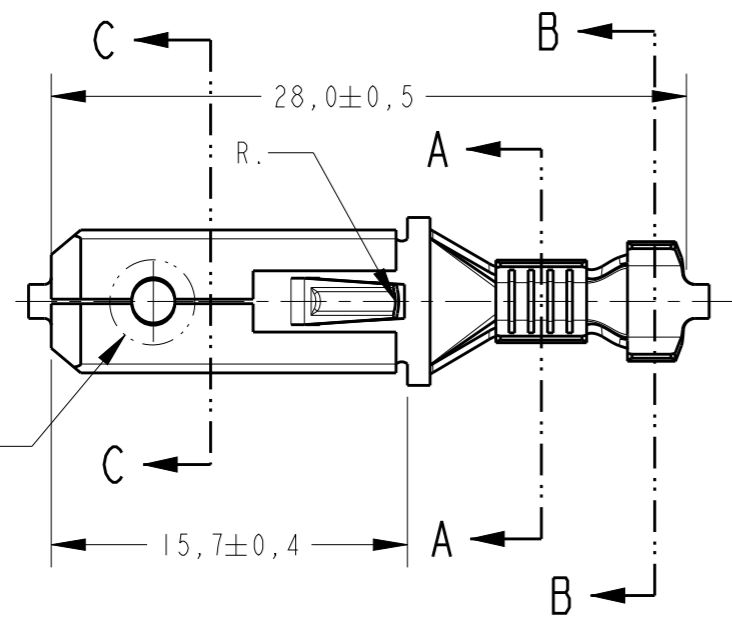
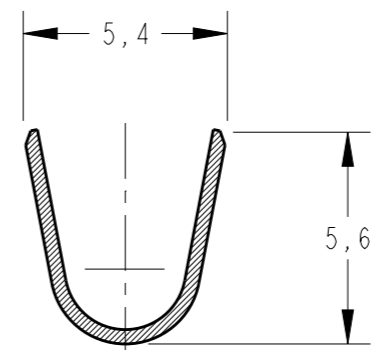


THIS DRAWING IS UNPUBLISHED. RELEASED FOR PUBLICATION 2012  
 © COPYRIGHT 2012 BY TE CONNECTIVITY ALL RIGHTS RESERVED.

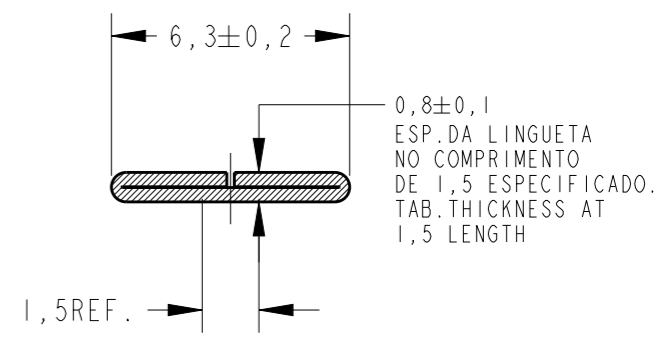
LOC	DIST	REVISIONS			
P	LTR	DESCRIPTION	DATE	DWN	APVD
AP	-				
	G4	REDRAW BY CAD ECO-12-014149	20AUG2012	NCL	DAO
	G5	REVISED BY ECO 16-003723	29JUN2016	HC	WLS



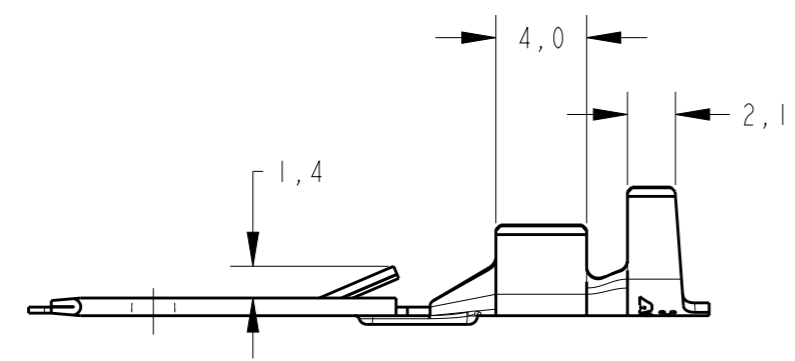
SECTION A-A  
SCALE 5:1



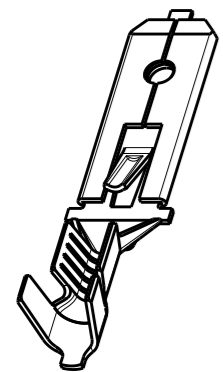
SECTION B-B  
SCALE 5:1



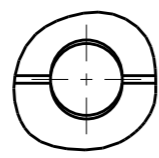
SECTION C-C  
SCALE 5:1



INS. RANGE	WIRE RANGE	LOOSE PIECE	FINISH	MATERIAL	PART NUMBER
Ø 2, 7-3, 7mm	1, 0-2, 5mm <sup>2</sup>				
<b>OBSOLETE</b>	<del>880654 - 8</del>	<del>PRATEADO/SILVER PLATED</del>	<del>BRONZE FOSF./PHOSP BRONZE</del>	<del>880636 - 8</del>	
<b>OBSOLETE</b>	<del>880654 - 7</del>	<del>PRATEADO/SILVER PLATED</del>	<del>LATÃO / BRASS</del>	<del>880636 - 7</del>	
<b>OBSOLETE</b>	<del>880654 - 6</del>	<del>PRÉ ESTANHADO/PRE-TIN</del>	<del>BRONZE FOSF./PHOSP BRONZE</del>	<del>880636 - 6</del>	
<b>OBSOLETE</b>	<del>880654 - 5</del>	<del>PRÉ ESTANHADO/PRE-TIN</del>	<del>LATÃO / BRASS</del>	<del>880636 - 5</del>	
<b>OBSOLETE</b>	<del>880654 - 4</del>	<del>ESTANHADO/ELECTRO-TIN</del>	<del>BRONZE FOSF./PHOSP BRONZE</del>	<del>880636 - 4</del>	
<b>OBSOLETE</b>	<del>880654 - 3</del>		<del>BRONZE FOSF./PHOSP BRONZE</del>	<del>880636 - 3</del>	
	880654 - 2	ESTANHADO/ELECTRO-TIN	LATÃO / BRASS	880636 - 2	
	880654 - 1		LATÃO / BRASS	880636 - 1	



PERSPECTIVE VIEW  
SCALE 2:1



DETAIL Y  
SCALE 5:1  
CONSTRUÇÃO OPCIONAL  
OPTIONAL CONSTRUCTION

THIS DRAWING IS A CONTROLLED DOCUMENT.		DWN NCLAPRESA 13JUL2012	TE Connectivity <b>TERMINAL FASTIN-FASTON .250 TAB</b>		
DIMENSIONS: mm		CHK JRGOLDSCHMIDT 13JUL2012			
TOLERANCES UNLESS OTHERWISE SPECIFIED:		APVD DAOLIVEIRA 13JUL2012			
0 PLC ±- 1 PLC ±0,3 2 PLC ±- 3 PLC ±- 4 PLC ±- ANGLES ±°		PRODUCT SPEC -	RESTRICTED TO -		
MATERIAL SEE TABLE		FINISH SEE TABLE	APPLICATION SPEC -	SIZE A3	CAGE CODE 00779
		WEIGHT -	DRAWING NO C=880636		
		Customer Drawing	SCALE 3:1	SHEET 1 OF 1	REV G5